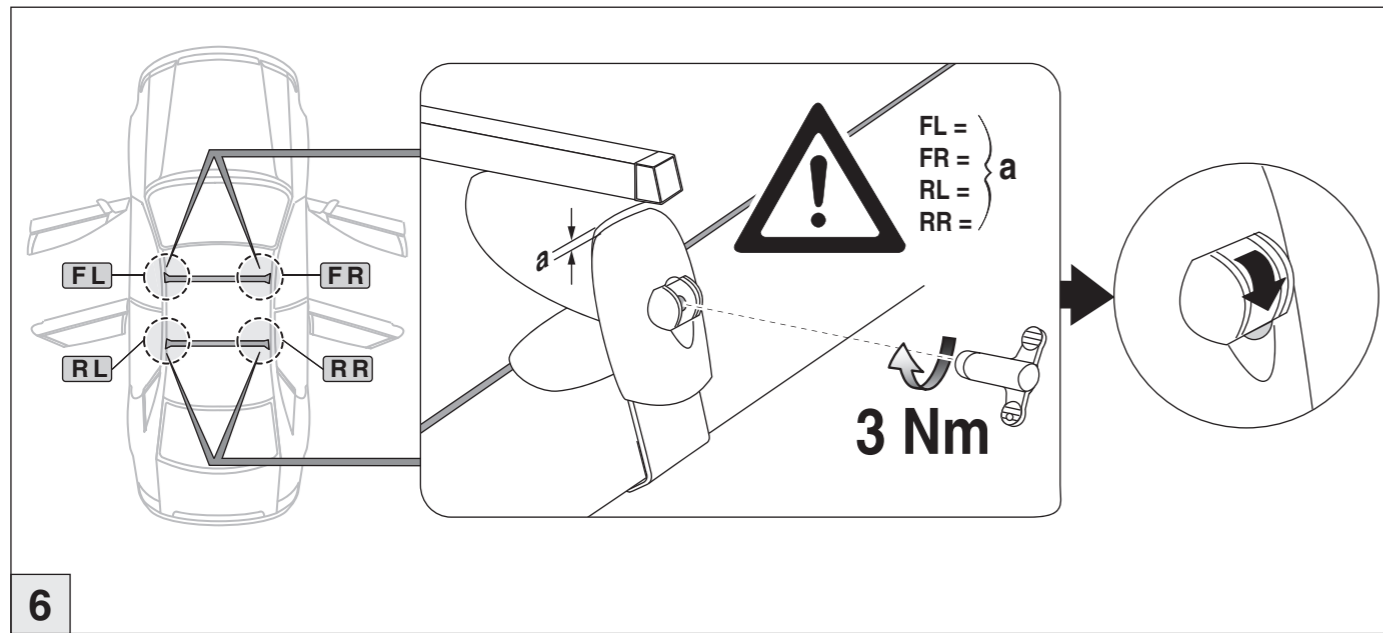


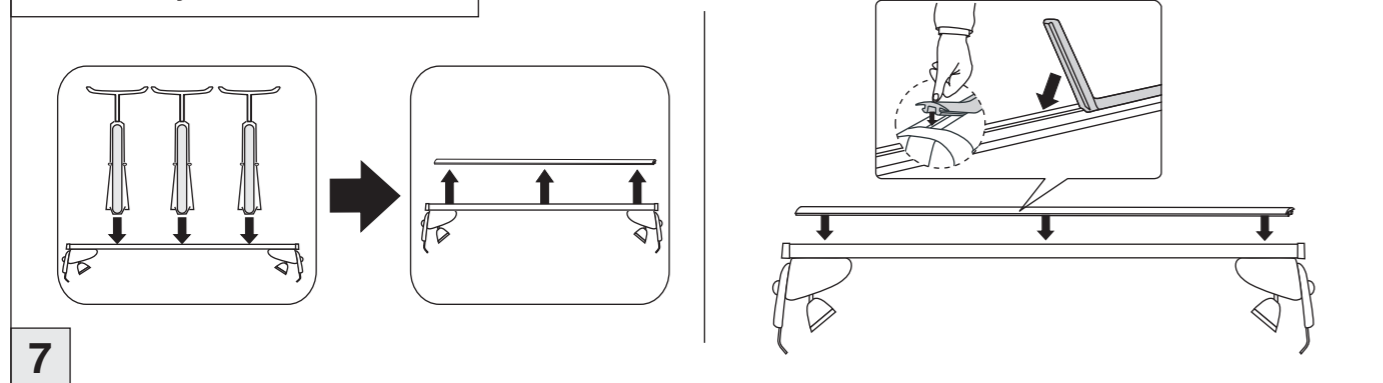
# Atera SIGNO

Ford  
Mondeo Limousine 4/5-türig/doors/portes 07/2015-

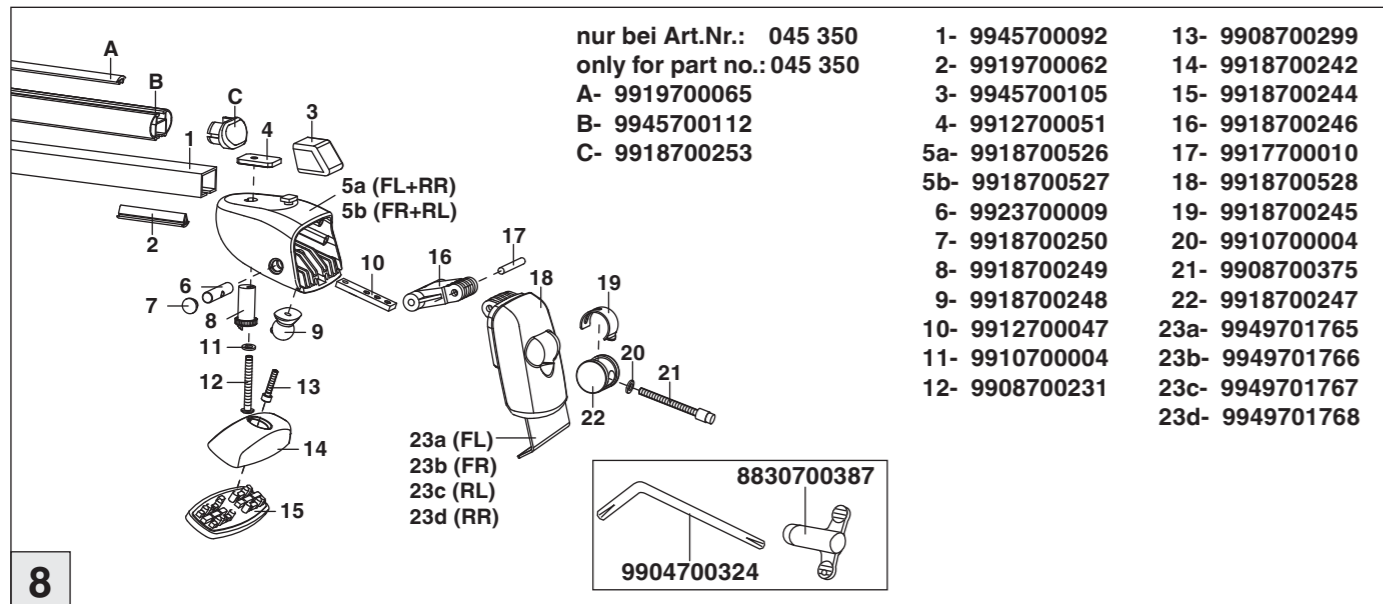


6

nur bei / only for Part-No.: 045 350



7

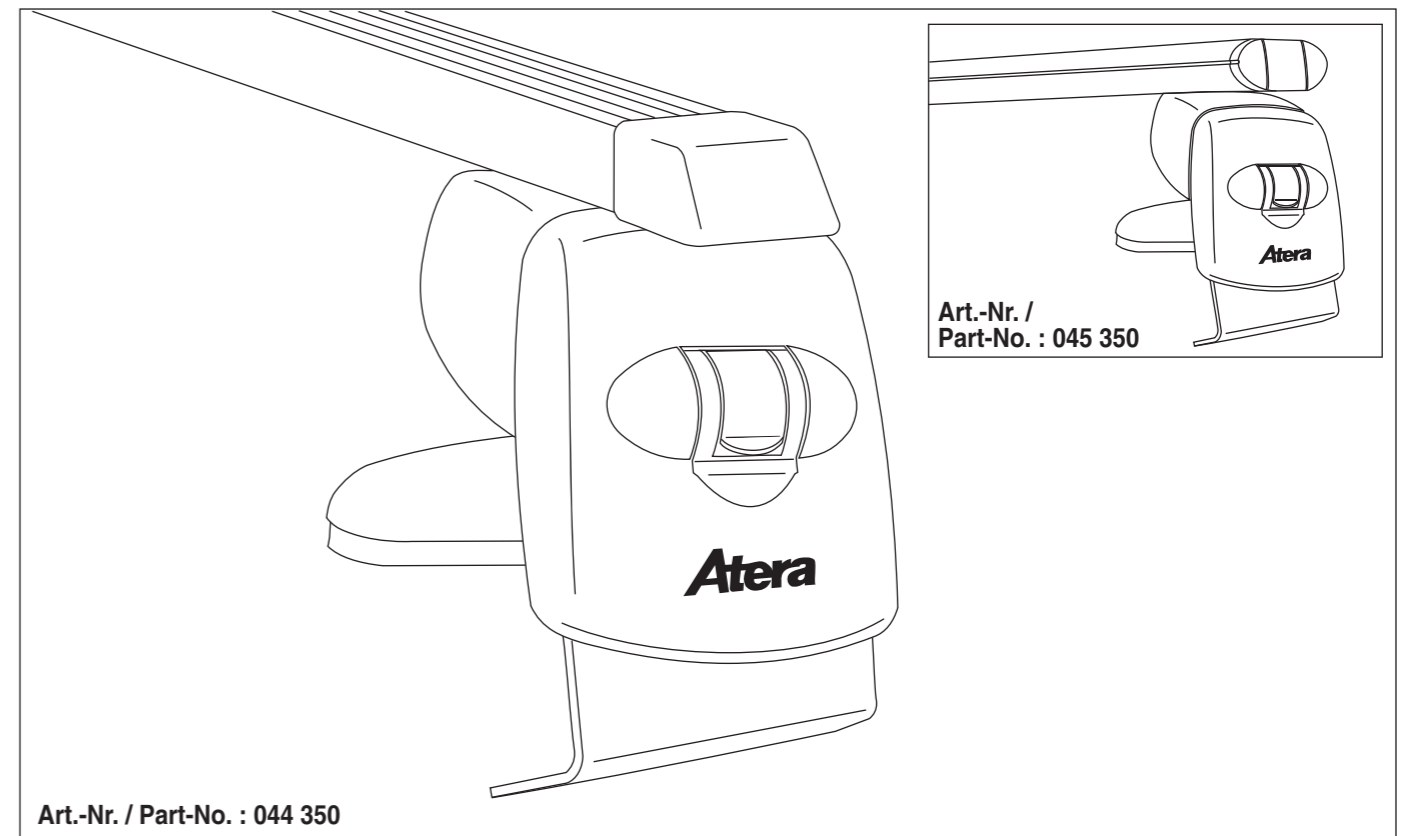
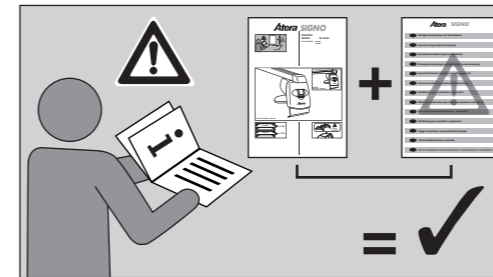


8

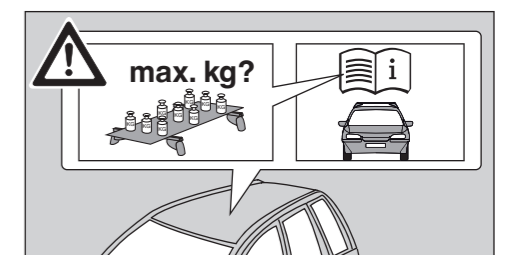
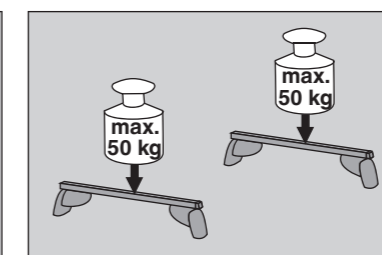
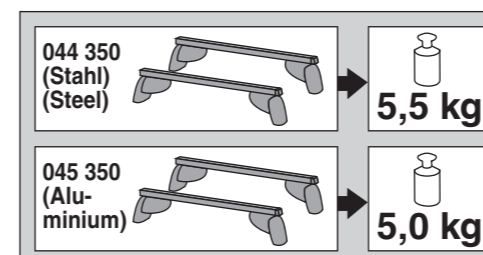
# Atera SIGNO

Ford  
Mondeo Limousine 07/2015-  
(4/5-türig/doors/portes)

Art.-Nr. / Part-No. : 044 350  
Art.-Nr. / Part-No. : 045 350



Art.-Nr. / Part-No. : 044 350



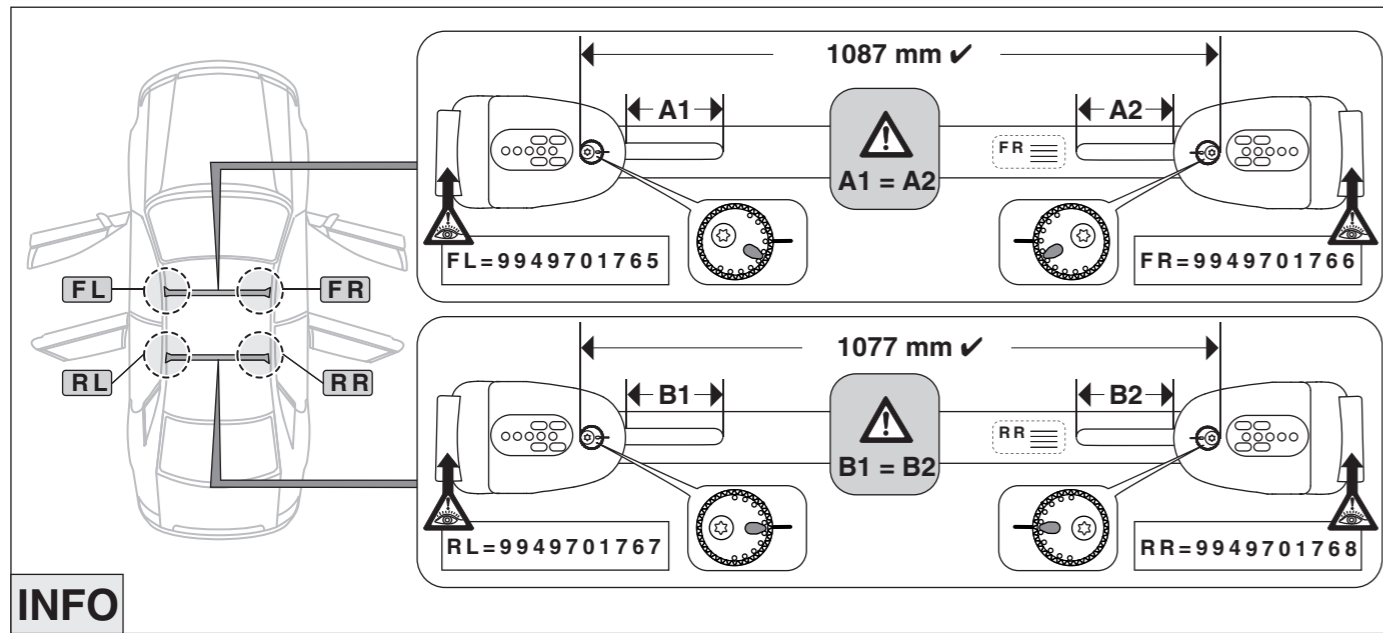
**Atera**  
Atera GmbH  
Im Herrach 1  
D-88299 Leutkirch  
Internet: www.atera.de



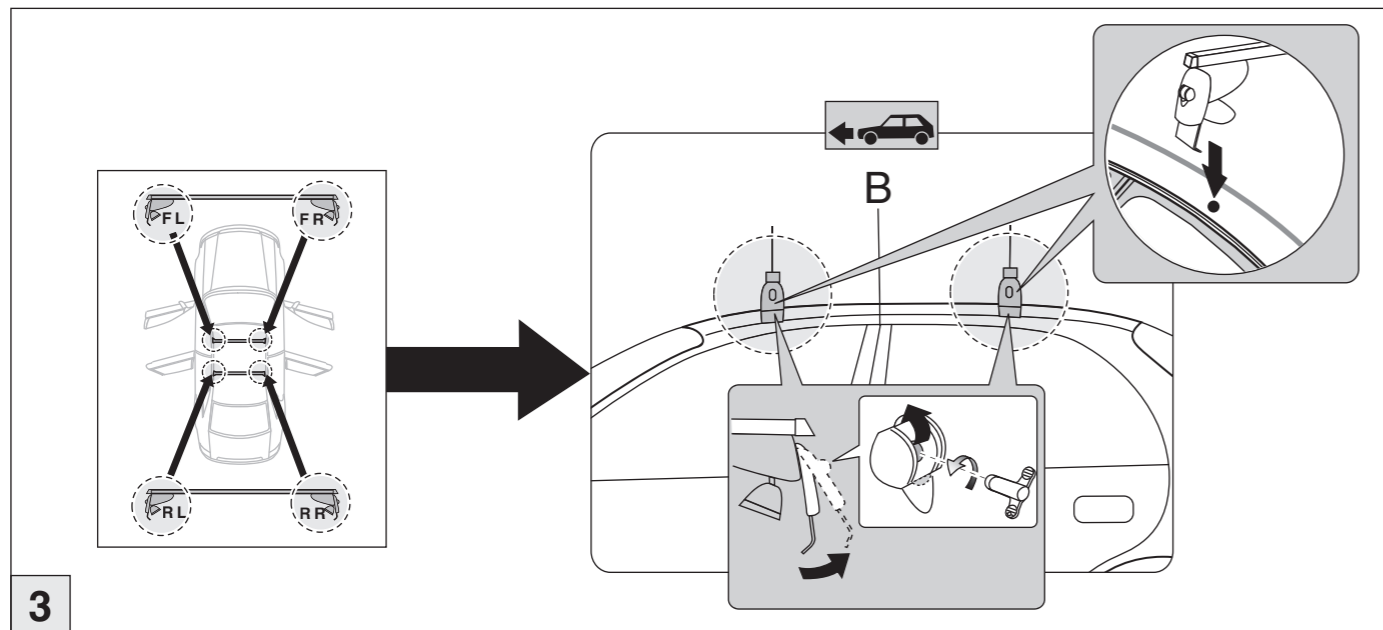
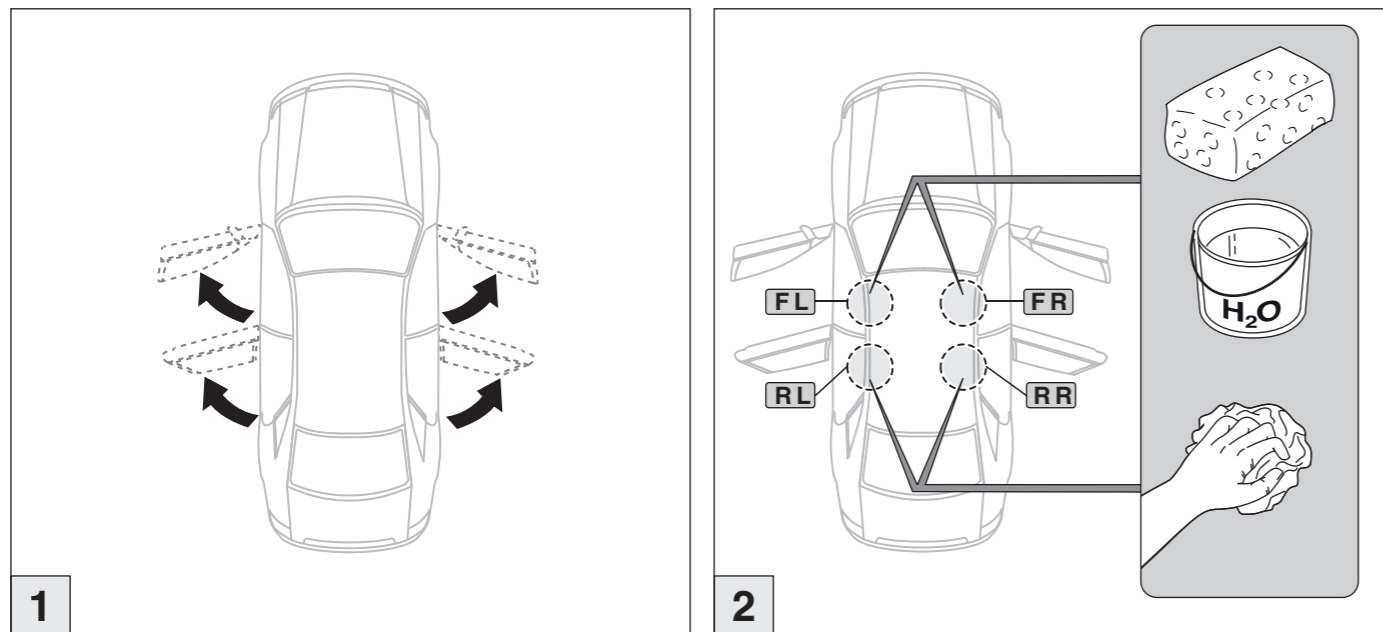
© ATERA GmbH  
Ref.-Nr.: 044 350\_096454435000\_992570050200  
Ref.-Nr.: 045 350\_096454535000\_992570050200  
Stand/State: 05/07/2017 - Rev 00 Ver 00

# Atera SIGNO

Ford  
Mondeo Limousine 4/5-türig/doors/portes 07/2015-



INFO



# Atera SIGNO

Ford  
Mondeo Limousine 4/5-türig/doors/portes 07/2015-

